

Assembly Line Scrapbooking

Club Scrap® *Special Edition* From the Heart

Materials:

- From the Heart Kit
- From the Heart UM Borders & Backgrounds

Tools:

- 12" Paper Trimmer
- 3x13" CS® Grid Ruler
- Scissors
- Adhesive
- Memories Chalk Red Ink
- Black Ink
- Vintage Photo Distress Ink
- Water Spray Bottle
- ColorBox Stylus Tool with Blender Tip
- Paper Piercing Tool
- Cork Board
- Heat Tool

Fraction to Decimal Conversions

$1/8" = .125"$ $1/2" = .5"$ $7/8" = .875"$

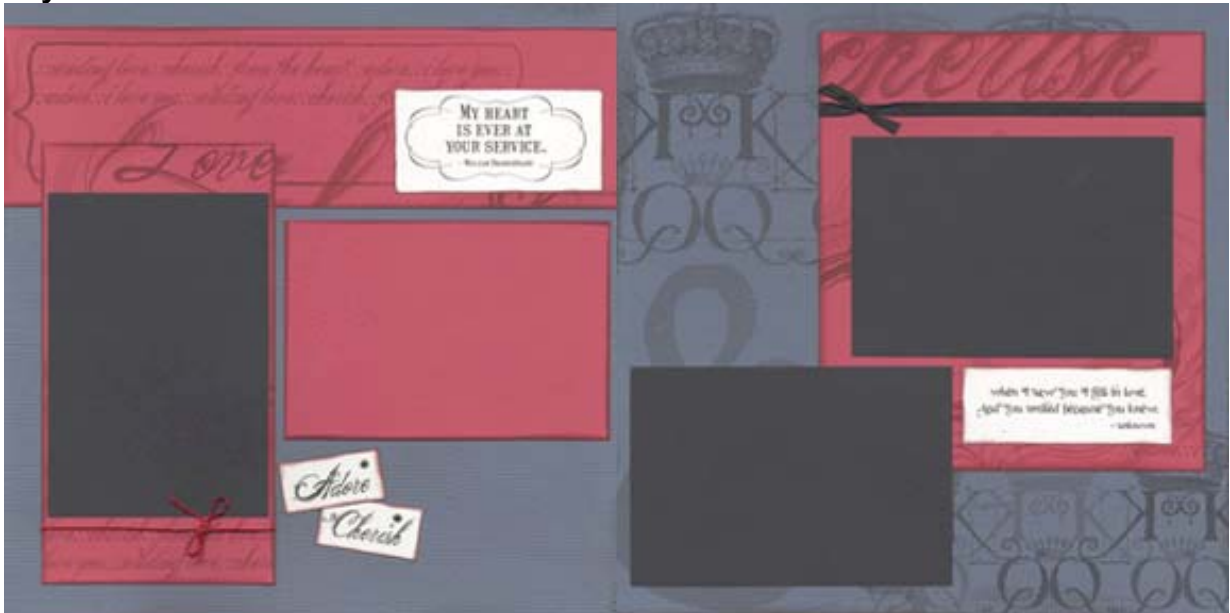
$1/4" = .25"$ $5/8" = .625"$

$3/8" = .375"$ $3/4" = .75"$

Note: We have incorporated images from the UM Borders and Backgrounds into several layouts. If you do not have all of the items, simply make a substitution or eliminate the step.

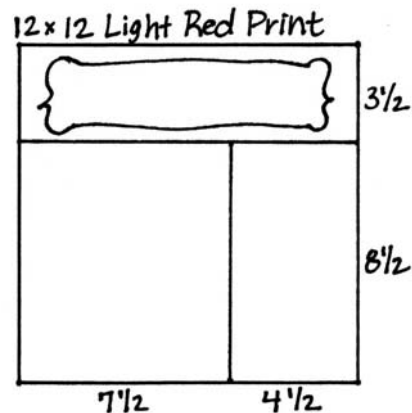


Layout #1 and #2



- 12x12 Grey Plain
- 12x12 Grey Print
- 12x12 Light Red Print
- (3) 4.25x6.25 Black Plain Photo Mattes
- 4.25x6.25 Light Red Plain Photo Matte
- White Cut Aparts: "Adore," "Cherish," "My Heart is Ever...", and "When I Saw You..."
- Red Waxed Linen Thread
- Black Rayon Ribbon
- Black Ink
- Red Ink
- (2) Silver Brads

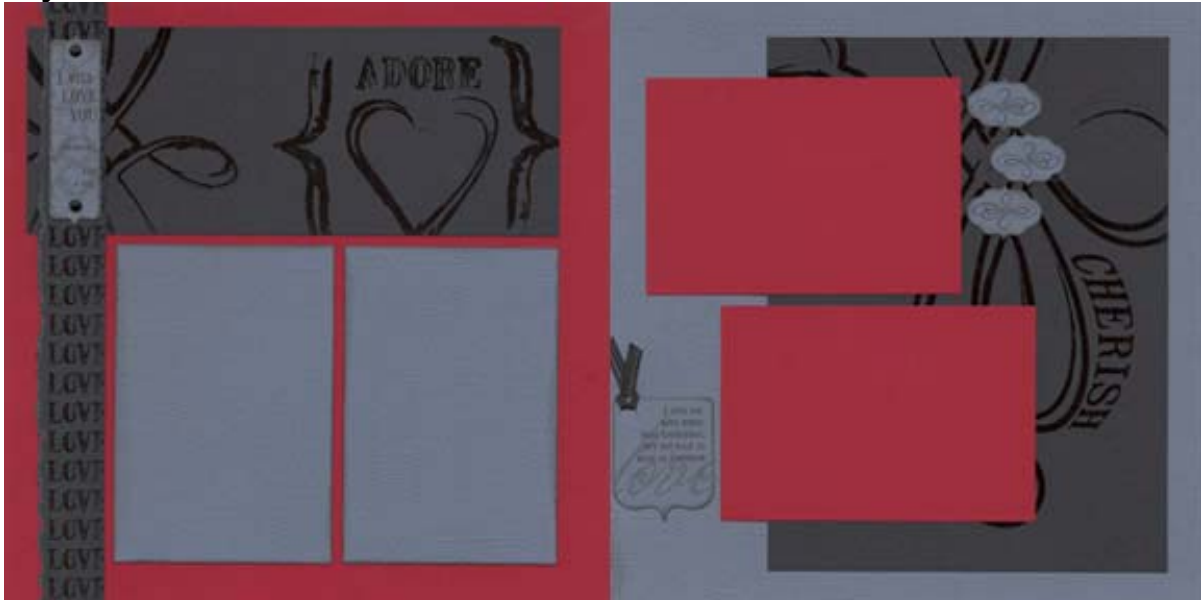
1. Place the 12x12 Light Red Print into the trimmer with the printed phrases "Sending Love," "Cherish," etc. positioned on the right side; trim at 8.5". Cut the 8.5x12 horizontally at 7.5".



2. Color the edges of the Red papers and photo matte with Red ink.

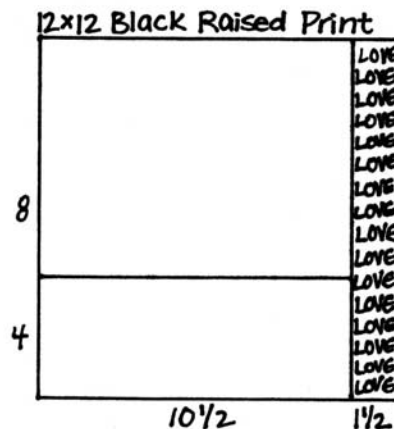


Layout #3 and #4



- 12x12 Black Raised Print
- 12x12 Dark Red Plain
- 12x12 Grey Plain
- (2) 4.25x6.25 Grey Plain Photo Mattes
- (2) 4.25x6.25 Dark Red Plain Photo Mattes
- Grey Die Cut Tags: "I Will Love You", "I Love You More...", and three "Swirls"
- Black Rayon Ribbon
- Black Ink
- (2) Black Brads

1. Place the 12x12 Black Raised Print into the trimmer with the "love" border positioned vertically on the right; trim at 10.5". Rotate the 10.5x12 horizontally and cut at 8".



2. Tear away the left edge of the Black 1.5x12 "love" border.
3. Ink the edges of the Grey pieces with black ink.

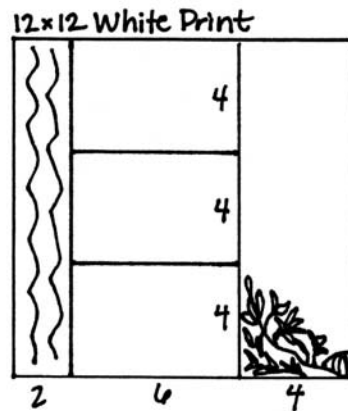


Layout #5 and #6

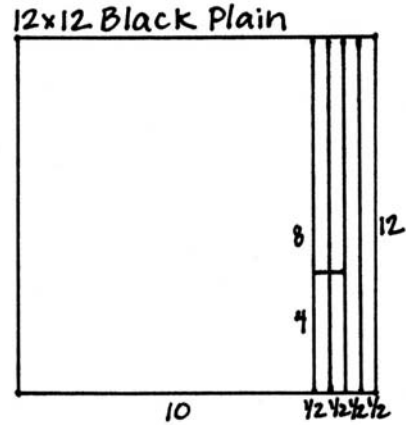


- 12x12 White Print
- 12x12 Light Red Print
- 12x12 Light Red Plain
- 12x12 Black Plain
- 4.25x6.25 White Plain Photo Matte
- 4.25x6.25 Grey Plain Photo Matte
- White Cut Aparts: "Love is a Canvas..." and "We are Each of Us Angels..."
- Grey Die Cut Tags: "I Heart U" and "You Gave My Heart Wings" (Use plain side.)
- WM Stamp
- (4) Black Brads
- Vintage Photo Distress Ink
- Water Spray Bottle
- Heat Tool
- Black Ink
- Red Ink

1. Place the 12x12 White Print into the trimmer with the cherub and flowers image positioned vertically on the right; trim at 8 and 2". Cut the 6x12 horizontally at 8 and 4 to make three 4x6 photo mattes.



2. Trim the 12x12 Black Plain at 11.5, 11, 10.5, and 10". Trim two .5x12 strips horizontally at 8".



3. Crumple and fold the 2x12 and 4x12 White Print strips several times; ink raised areas with the Vintage Photo Distress ink. Spray with water to spread ink and dry with a heat tool.
4. Trim the White "Love is a canvas furnished..." cut apart horizontally between the "I" and "S" of the word "furnished." Attach across the upper center of both pages, making sure both pieces are aligned.
5. Stamp the WM image vertically onto the top of the 4x12 distressed White Print with black ink.
6. Distress the edges of the White Prints, photo matte, and White cut aparts with black or red ink.

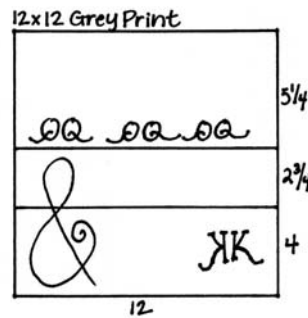


Layout #7 and #8

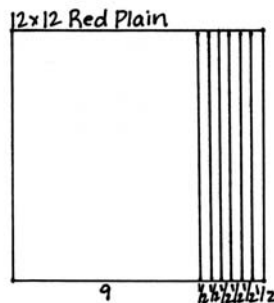


- 12x12 Grey Print
- 12x12 Black Plain
- 12x12 Black Raised Print
- 12x12 Light Red Plain
- (2) 4.25x6.25 White Plain Photo Mattes
- (2) 4.25x6.25 Light Red Plain Photo Mattes
- UM Borders and Backgrounds
- White Cut Aparts: "King" and "Queen"
- Light Red Die Cut Tags: "Be Mine Valentine", "You Complete Me".
- Black Rayon Ribbon
- Black Ink

1. Place the 12x12 Grey Print into the trimmer with the smaller printed border running vertically down the right side of the page; trim at 8 and 5.25".



2. Cut the 12x12 Light Red Plain at 11.5, 11, 10.5, 10, 9.5, and 9" making six .5x12" strips. Stamp "adore" from the UM stamps horizontally along each .5x12" Light Red Plain strip with black ink.

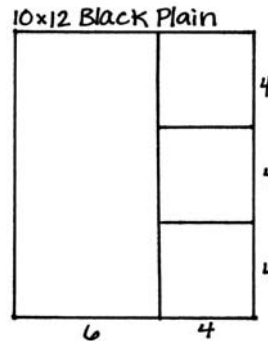


Layout #9 and #10

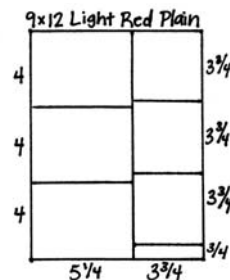


- 12x12 White Print
- 12x12 Dark Red Plain
- 10x12 Black Plain (From Layout #5 and #6)
- 9x12 Light Red Plain (From Layout #7 and #8)
- 4.25x6.25 Dark Red Plain Photo Matte
- Light Red Die Cut Tag: "I Will Love You"
- White Cut Aparts: "To Love..." and "Once in a while..."
- Black Rayon Ribbon
- Stencil
- Stylus Tool
- Black Ink

1. Trim the 10x12 Black Plain vertically at 6". Cut the 4x12 horizontally at 8 and 4 to make three 4" squares.



2. Cut the 9x12 Light Red Plain vertically at 5.25". Rotate the 3.75x12 horizontally; trim at 11.25, 7.5 and 3.75". Cut the 5.25x12 horizontally at 8 and 4".



3. Stencil the swirl image onto the right side of the 12x12 Dark Red vertically with black ink.
4. Trim the "Once in a While" White cut apart to fit the 4x4 Black Plain.
5. Distress the edges of each piece with black ink.

